

# Still Installation Instructions

These installation recommendations consist of common-sense practices for installing millwork and similar products. Installers should rely upon their own professional experience and understanding of their unique requirements to be the best guide to a successful installation.

## Tools Needed

- Bar level or laser level
- Chalk line
- Drill
- Miter or table saw with carbide fine tooth blade
- Tape measure
- Wall screws appropriate for wall type

## Components Provided

Panel(s) with Z-Clips pre-installed

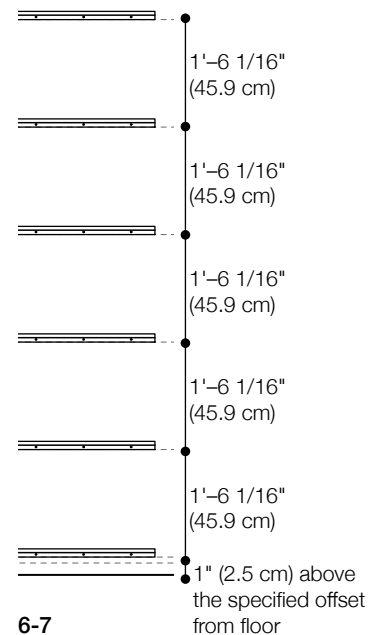


Wall Z-Clips in 6'-0" (1.8 m) lengths (must be cut to size)

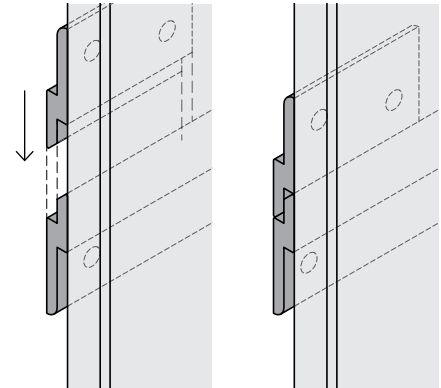


## Installation Instructions

- 1 Handle the Panels individually and with clean hands to reduce the possibility of damage during installation.
- 2 Inspect the product. Subtle color and texture variations even within the same Panel are a normal aspect of this product. It is advisable to inspect for these irregularities and plan the layout accordingly making sure to evenly disperse any minor color variation. In the case of product defect or damage in transit, Spinneybeck must be notified within five (5) business days. Spinneybeck cannot accept a return or warranty claim on any material that has been installed.
- 3 Clean the work surface. It should be smooth, dry, and dust free to allow the best possible installation. A Level 4 Finish wall preparation is sufficient.
- 4 Wall Z-Clips are provided in 6'-0" (1.8 m) sections. Cut Wall Z-Clips with miter or table saw with carbide fine tooth blade to length as needed to fit the installation width. **IMPORTANT:** All pieces of Z-Clips may be used to complete the installation. DO NOT discard cut pieces of Z-Clips until after the installation is complete.
- 5 The Z-Clip hanging method is much like hanging a picture on the wall. The clips allow the panels to be easily lifted off or set on the wall. **IMPORTANT:** A clearance of 1" (2.5 cm) from the top of panels to the ceiling is required to lift and lock Z-Clips.
- 6 Start installation at the bottom left of the wall. Determine location of Wall Z-Clips by first determining the offset from the floor required for your installation as specified by the client. Spinneybeck recommends a distance of 1/2-2" (1.3-5 cm) from the floor. Mark this offset height.
- 7 From the offset height measure up 1 in (2.5 cm). This is the location of the bottom of the first Z-Clip row. Measure 1'-6 1/16" (45.9 cm) up and mark the location of the bottom of the next Z-Clip row. Continue until all heights are measured.
- 8 Set laser level or snap chalk lines on wall at measured heights and ensure they are level.



- 9 Attach Wall Z-Clips with appropriate wall screws (not included) to wall with bottom aligned to laser level or chalk lines. **IMPORTANT:** It is recommended to screw into studs, blocking, or use appropriate anchors.
- 10 Place Panel on wall at least 3/4" (1.9 cm) higher than desired height and press firmly against wall. Slide panel down to engage Z-Clips. Check to be sure all Z-Clips are engaged. If Panels are not sliding easily along Wall Z-Clips during installation, loosen by backing the screw off half a rotation.
- 11 Move across the row following the above procedure, making sure that the Panels are butted firmly against one another. Continue checking level throughout installation. Repeat moving up the wall until installation is complete.



10 Slide Panel down to engage Wall and Panel Z-Clips

### Cleaning Instructions

On wood, clean with a dry, lint-free cloth. Wash once a year with a mild soap and water solution, rinse with damp cloth and dry immediately with a clean cotton cloth or towel. On veneers, use a very mild non-abrasive, non-ammonia and non-alcohol containing soap diluted in a room temperature water solution. Apply with a soft flannel cloth, followed by a dry cloth. Always wipe in the direction of the grain. Never use commercial cleaners, abrasives, solvents or glass cleaner on any wood components as it will wear away the finish. Never apply wax as this will interact with the finish.

For complete instructions, refer to the Product Maintenance + Cleaning Guide at [spinneybeck.com/cleaning-guide](http://spinneybeck.com/cleaning-guide).