

ARO Plank 5 Installation Instructions

These installation recommendations consist of common-sense practices for installing wall panels and similar products. Installers should rely upon their own professional experience and understanding of their unique requirements to be the best guide to a successful installation.

Tools Needed

Bar level or laser level
Chalk line
Drill
Stiff putty knife
Tape measure
Wall screws appropriate for wall type

Components

Planks with Interlock male mounts (as ordered)

A

B

C

D

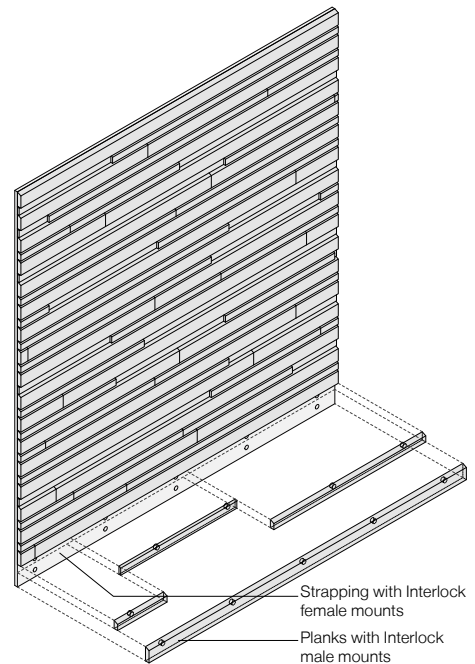
E

Strapping with Interlock female mounts

Strapping Map + Plank Map

Installation Instructions

- 1 Handle the Planks keeping the leather faces together and the substrate faces together to reduce the possibility of damage during installation.
- 2 Inspect the products. In the case of product defect or damage in transit, Spinneybeck must be notified within five (5) business days. Spinneybeck cannot accept a return or warranty claim on any material that has been installed.
- 3 Allow components to acclimate to the installation environment. After the shipping crates have been opened, the Planks should be laid out individually on the floor for at least forty-eight (48) hours.
- 4 While the Planks are becoming acclimatized, clean the work surface. It should be smooth, dry, and dust-free to allow the best possible installation. A Level 4 Finish wall preparation is sufficient.
- 5 The Strapping and Planks provided have designations carved into them that indicate the placements shown on the Strapping Map + Plank Map. Review the Maps and organize the Strapping and Planks accordingly before installing.
- 6 Using wall screws appropriate for the wall type (not included), secure the Strapping with Interlock female mounts to the wall as indicated on the Strapping Map. **IMPORTANT:** Make sure that Strapping pieces are plumb and level as the installation progresses.
- 7 Use the Plank Map as a guide and start the Plank installation at the bottom left corner of the wall. Install the first Plank by aligning the corresponding male Interlock mounts to the female Interlock mounts. Press them into place until they snap in.
- 8 To detach a Plank, slide a stiff putty knife behind the Plank at the Interlock mount and gently pry and pull the Plank away from the Strapping until the Interlock mount pops off.
- 9 Continue plank-by-plank going left-to-right until all the Planks in the row are installed, as per the Panel Map.
- 10 If ordered, openings for electrical devices are indicated on the Panel Map. Devices may be either wall-mounted or panel-mounted as specified by the client. Installation of electrical devices is the responsibility of the purchaser. **IMPORTANT:** Planks should not be modified and any modifications void the product warranty.
- 11 If additional rows are part of the installation, continue with each row following the instructions in steps 7-9.



Cleaning Instructions

Full grain, aniline leather requires little care. Occasional use of water-based leather cleaner, conditioner, and protector is recommended. Do not use harsh cleaners or substances such as wax or mink oils, saddle soap, or leather polishes. A periodic wipe with a damp cloth is a sufficient means of cleaning under normal conditions.

For complete instructions, refer to the Product Maintenance + Cleaning Guide at spinneybeck.com/cleaning-guide.