

Pleat Installation Instructions

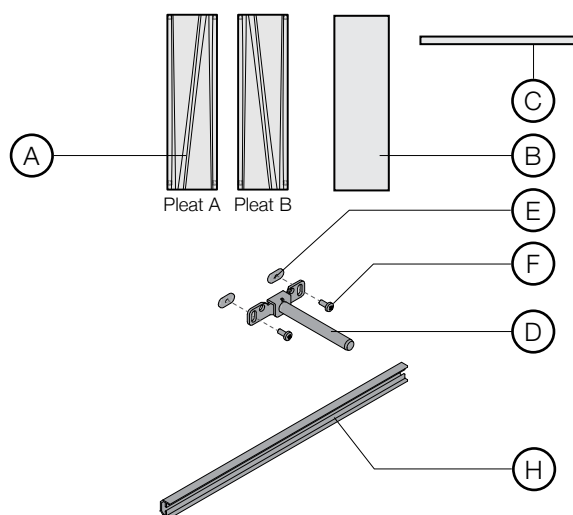
These installation recommendations consist of common-sense practices for installing millwork and similar products. Installers should rely upon their own professional experience and understanding of their unique requirements to be the best guide to a successful installation.

Tools Needed

Bar level or laser level
Chalk line
Circular saw and finish blade (for trimming or cut-outs, if necessary)
Drill
Miter saw with carbide fine tooth blade (for cutting Wall Z-Clips, if necessary)
Tape measure
Wall screws appropriate for wall type

Components Provided

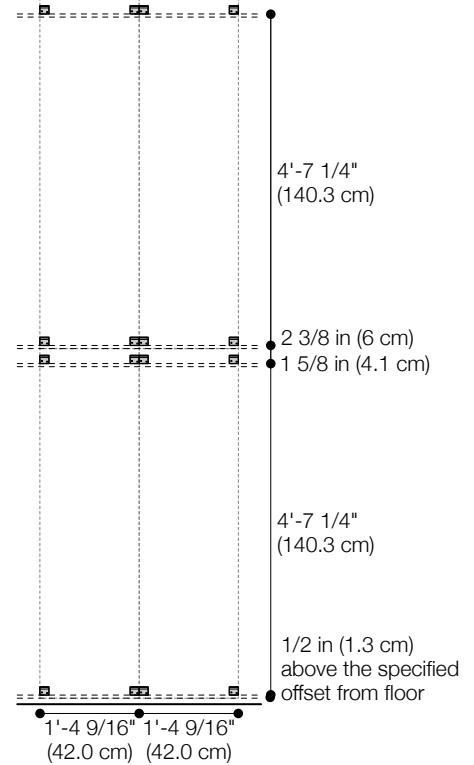
- A Panel(s) with Z-Clips pre-installed
- B Extension Panel(s) (as ordered)
- C Shelf (provided in sections)
- D Shelf Supports (quantity provided as required)
- E 4 x Plastic Wall Plugs (per Shelf Support)
- F 4 x Screws (per Shelf Support)
- G Wall Z-Clip(s) (wall screws not included)
- H Shelf Support Rail(s) (wall screws not included)



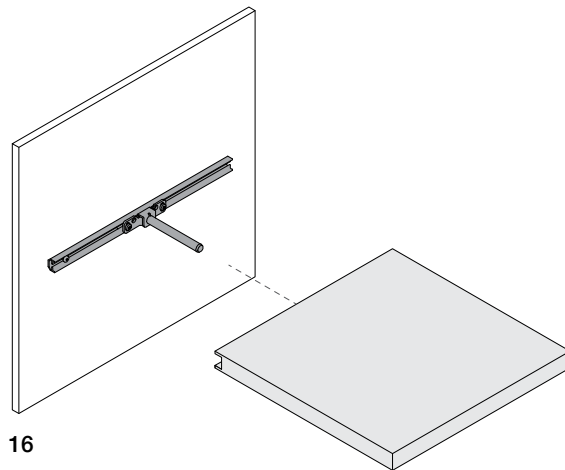
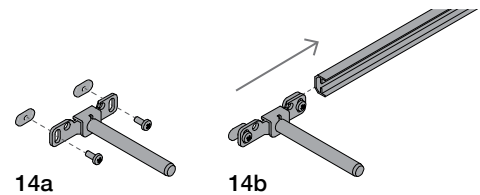
Installation Instructions

- 1 Handle the panels individually and with clean hands to reduce the possibility of damage during installation.
- 2 Inspect the product. Wood veneer is a natural material color and texture variations even within the same tile are a normal aspect of this product. It is advisable to inspect for these irregularities and plan the layout accordingly, making sure to disperse any minor color and grain variation evenly. In the case of product defect or damage in transit, Spinneybeck must be notified within five (5) business days. Spinneybeck cannot accept a return or warranty claim on any material that has been installed.
- 3 Clean the work surface. It should be smooth, dry, and dust free to allow the best possible installation. A Level 4 Finish wall preparation is sufficient.
- 4 The design of Pleat includes a Shelf (C) that intentionally separates panel rows. **IMPORTANT:** It is not recommended to install multiple rows of Pleat panels without the Shelf as the complex shape of the panels are challenging to align.
- 5 Device cut-outs may be cut from any Extension Panels (B) using traditional wood cutting tools, such as a circular saw and a finish blade, taking care not to scratch the finish. **IMPORTANT:** It is not recommended to cut or trim Pleat panels (A).
- 6 The Z-Clip hanging method is much like hanging a picture on the wall. The clips allow the panels to be easily lifted off or set on the wall. **IMPORTANT:** A clearance of 1" (2.5 cm) from the top of panels to the ceiling is required to lift and lock Z-Clips. Wall Z-Clips (G) are provided in 6'-0" (1.8 m) lengths and may be cut to suit the installation.

- 7 Determine vertical location of Wall Z-Clips (G) by first determining the offset from the floor required for your installation as specified. Spinneybeck recommends a minimum distance of 1/2"–2" (1.3–5 cm) from the floor. Mark this offset height.
- 8 From the offset height measure up 1/2" (1.3 cm). This is the location of the bottom of the first Z-Clip row. Measure 4'-7 1/4" (140.3 cm) up and mark the location of the bottom of the second Wall Z-Clip (G) row.
- 9 Next, measure 1 5/8" (4.1 cm) to locate the bottom of the Shelf Support Rail (H).
- 10 If installing a second row of panels, measure 2 3/8" (6 cm) up for the bottom row of Wall Z-Clips (G) and then 4'-7 1/4" (140.3 cm) up and mark the location of the top Wall Z-Clip (G) row.
- 11 Set laser level or snap chalk lines on wall at measured heights and ensure they are level.
- 12 Attach Wall Z-Clips (G) with appropriate wall screws (not included) to wall with bottom aligned to laser level or chalk lines. **IMPORTANT:** It is recommended to screw into studs, blocking, or use appropriate anchors.
- 13 Measure the locations of the pre-drilled holes on back of a Shelf (C) section and transfer those measurements to a Shelf Support Rail (H) to mark the locations of the Shelf Supports (D).
- 14 Secure 2 x Plastic Wall Plugs (E) and 2 x Screws (F) on each Shelf Support and slide onto the Shelf Support Rail on the wall (14a). Align with the location which matches the pre-drilled hole in the Shelf (14b).
- 15 Attach Shelf Support Rail (H) with Shelf Supports (D) with appropriate wall screws (not included) to wall with bottom aligned to laser level or chalk line. **IMPORTANT:** It is recommended to screw into studs, blocking, or use appropriate anchors.
- 16 For first row of Pleat panels (A), place panel on wall at least 3/4" (1.9 cm) higher than desired height and press firmly against wall. Slide panel down to engage Z-Clips. Check to be sure all Z-Clips are engaged.
- 17 Continue securing panels along the first row. Panels should be slid together to be flush and seams tight between panels.
- 18 Once the first row of panels are in place, slide Shelf (C) sections onto Shelf Supports (D) and push firmly into position.
- 19 If additional rows of panels is specified, follow steps 9–11, making sure that Shelf (C) sections are installed between rows.



7–10



Cleaning Instructions

Use a very mild non-abrasive, non-ammonia and non-alcohol containing soap diluted in a room temperature water solution. Apply with a soft flannel cloth, followed by a dry cloth. Always wipe in the direction of the grain. Never use commercial cleaners, abrasives, solvents or glass cleaner on any wood components as it will wear away the finish. Never apply wax as this will interact with the finish.

For complete instructions, refer to the Product Maintenance + Cleaning Guide at spinneybeck.com/cleaning-guide.